

## GS-31/31B Countdown Display Basic Wiring Hook-Up

Model GS-31            24 Volt A.C.    p/n 77013  
 Model GS-31B        24 Volt A.C.    p/n 77018

- The GS-31 TIME PER COIN SETTING must be the same as the BAY TIMER.

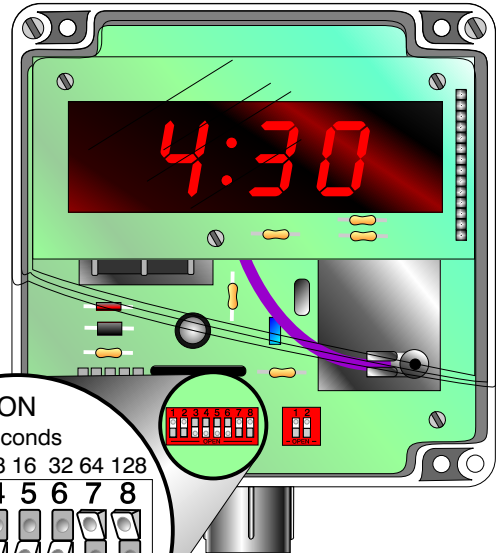
Remove the front cover to expose the dip switch.

The time per coin is determined by adding the total seconds of the switches in the "ON" position.

Press switch rocker down to select.

EXAMPLE: Set GS-31 for 60 seconds per coin  
 Turn on switches  
 6 = 32 Seconds  
 5 = 16 Seconds  
 4 = 8 Seconds  
3 = 4 Seconds  
 60 Seconds

- the GS-31 will start counting down when BAY TIMER starts.
- To reset GS-31/31B turn power OFF then back ON again.



### The NEW GS-31/31B Features 4 Display Options!

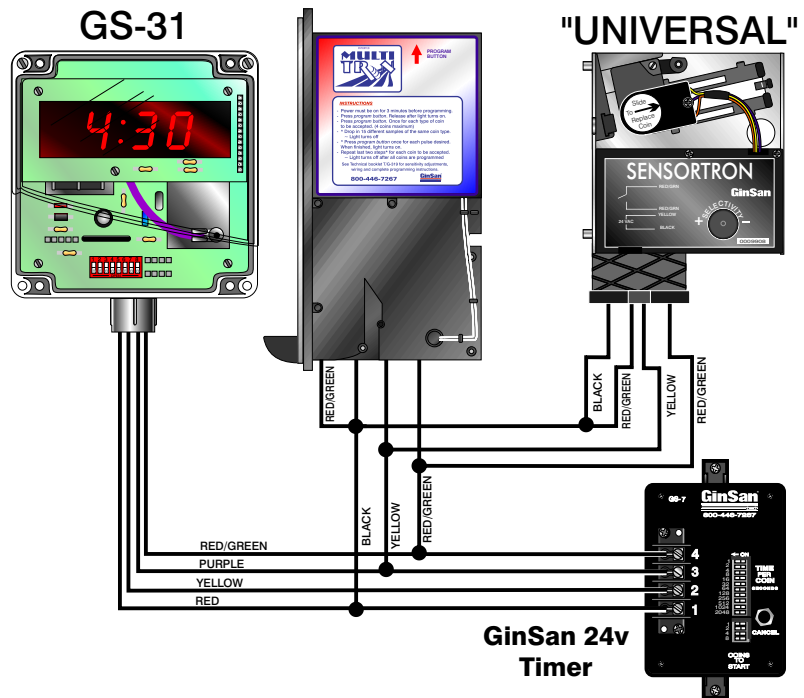
- 4 Ways for display to count up as coins are put in.

	Displays time per coin deposited EXAMPLE: :40, :80, 1:20...
	Displays quarter increments deposited EXAMPLE: .25, .50, .75...
	Displays dollar increments deposited EXAMPLE: 1.00, 2.00, 3.00...
	Displays number of coins deposited EXAMPLE: 1, 2, 3, 4...

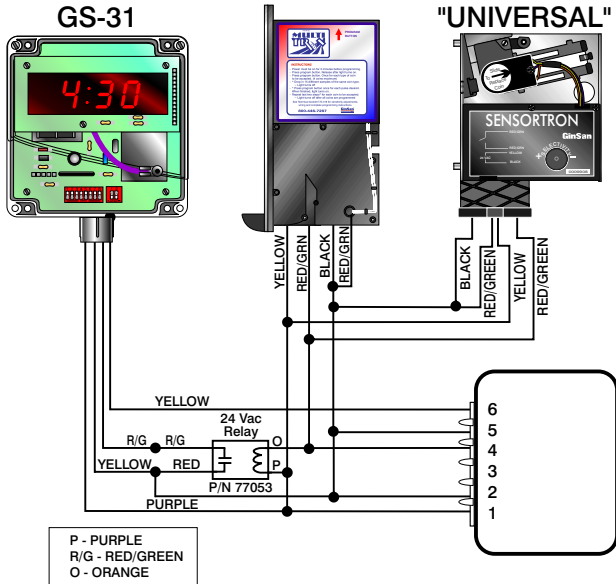
#### OTHER NEW FEATURES...

- One unit works on 50 or 60 Hz
- Beeps as each coin is deposited
- At one minute remaining display flashes twice per second

### GS-31 Wired to any GinSan 24 Volt Timer

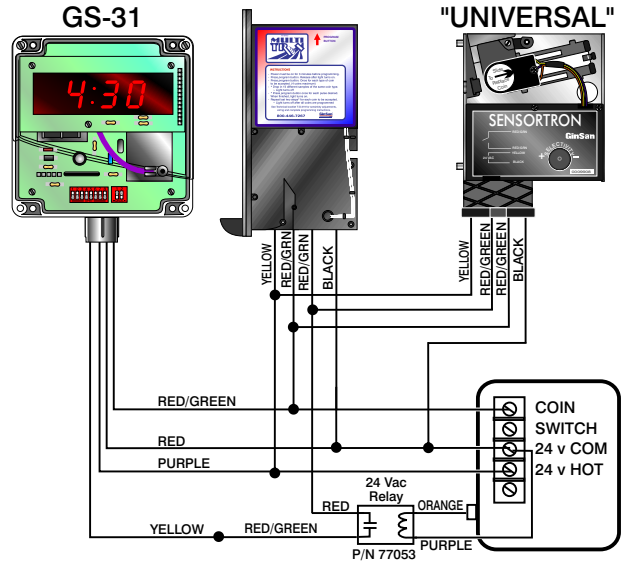


## KELTNER TIMER



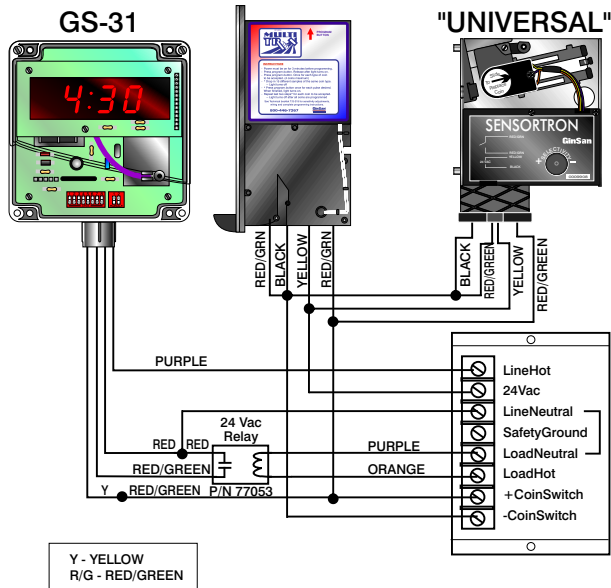
Note: A relay must be used for this application. GinSan #77053

## D & S TIMER



Note: A relay must be used for this application. GinSan #77053

## PARAPLATE TIMER



Note: A relay must be used for this application. GinSan #77053

## MARK VII TIMER

